

# TM 630 MARKER BUOY



## 630 mm Dia Marker Buoy

### 630mm Dia Marker Buoy

Triton has developed a number of aids to navigation and complimentary products each meeting our stringent quality processes and having a demonstrated history of performance.

Product Code: TM630

The Triton Marker Buoy TM630 is used as mooring buoy, beach marking, marina marking, speed zone and restricted area marking. The buoy is rotational molded and manufactured with the highest quality PE material with a focal height of 800mm and foam filled with polyurethane foam for added stability and buoyancy



Certified IALA E-108 Colours

\*Manufactured in UAE

### Features:

- High visibility red, green, white or yellow as per IALA recommendations.
- Excellent buoyancy and stability.  
Rotationally molded UV stabilized material used for manufacturing this product
- With wall thickness of 8mm.

### Option:

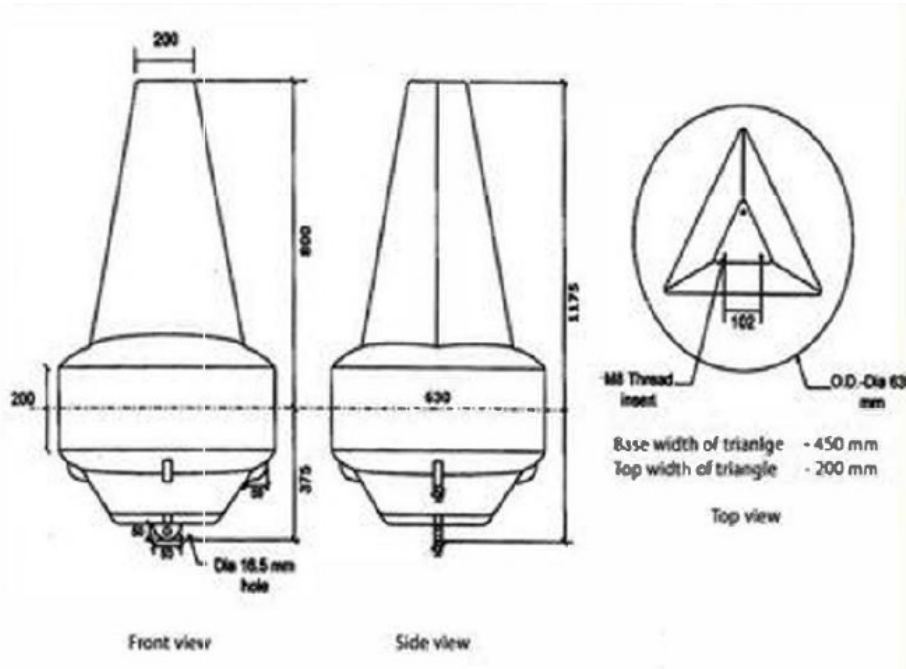
- IALA recommended top marks.

### Specification

Focal Plane height (mm)	800
Height (mm)	1175
Width (mm)	630
Reserve Buoyancy (kgs)	120
Wall thickness (mm)	8



# TM 630 MARKER BUOY



## Mooring Systems



GI, SS or Anchor  
Chain/ Swivel/ Shackles



Synthetic Rope

Single piece,  
high strength design

Low maintenance,  
High durability

Corrosion resistant  
material

Quality assurance  
ISO 9001:2008